

2054, 2055 2054 EPA

Spare parts

Ersatzteile

Pièces détachées

Reserve onderdelen

Repuestos

Reservdelar

Replaces

Ersetzt

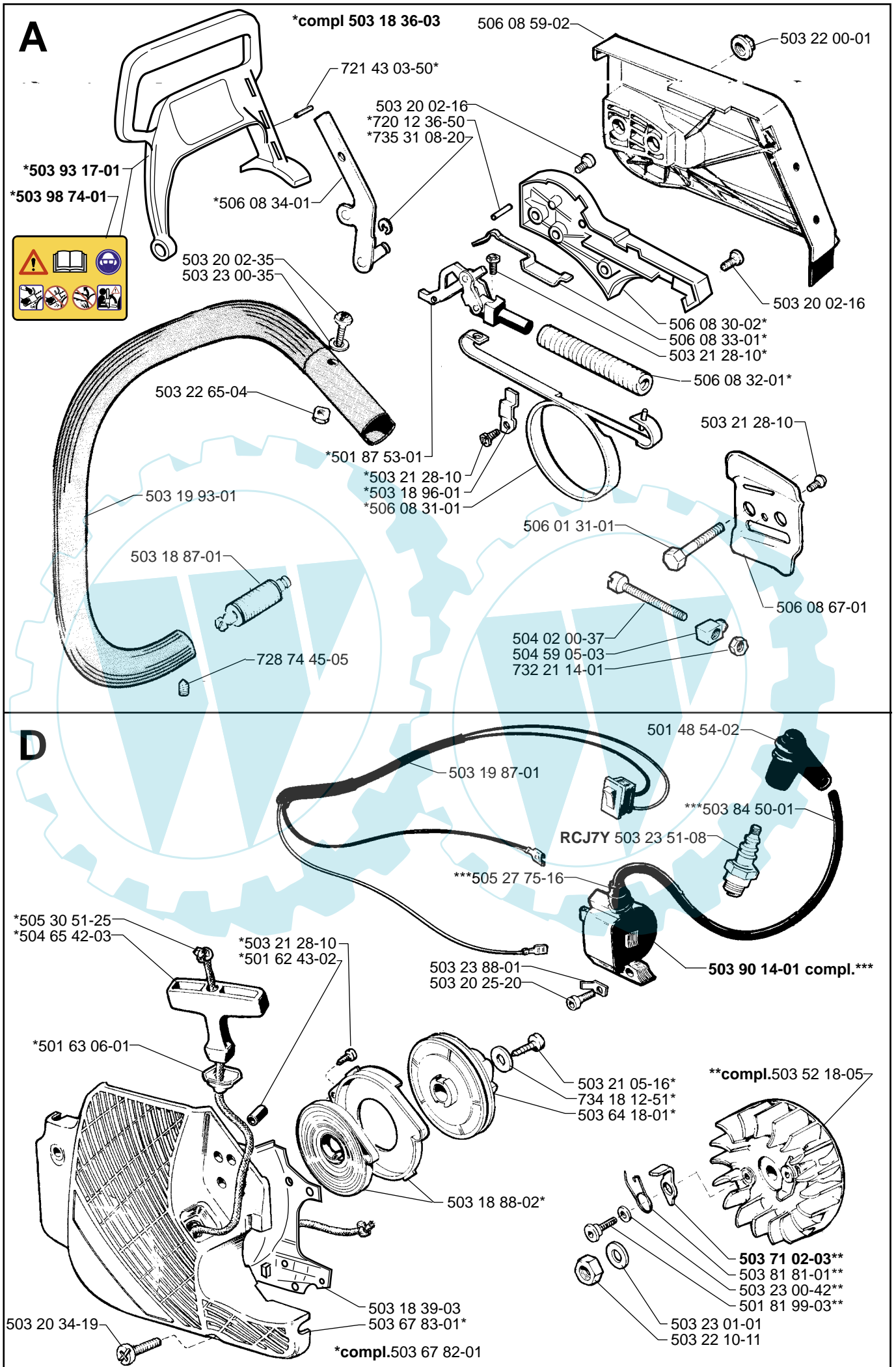
Remplace

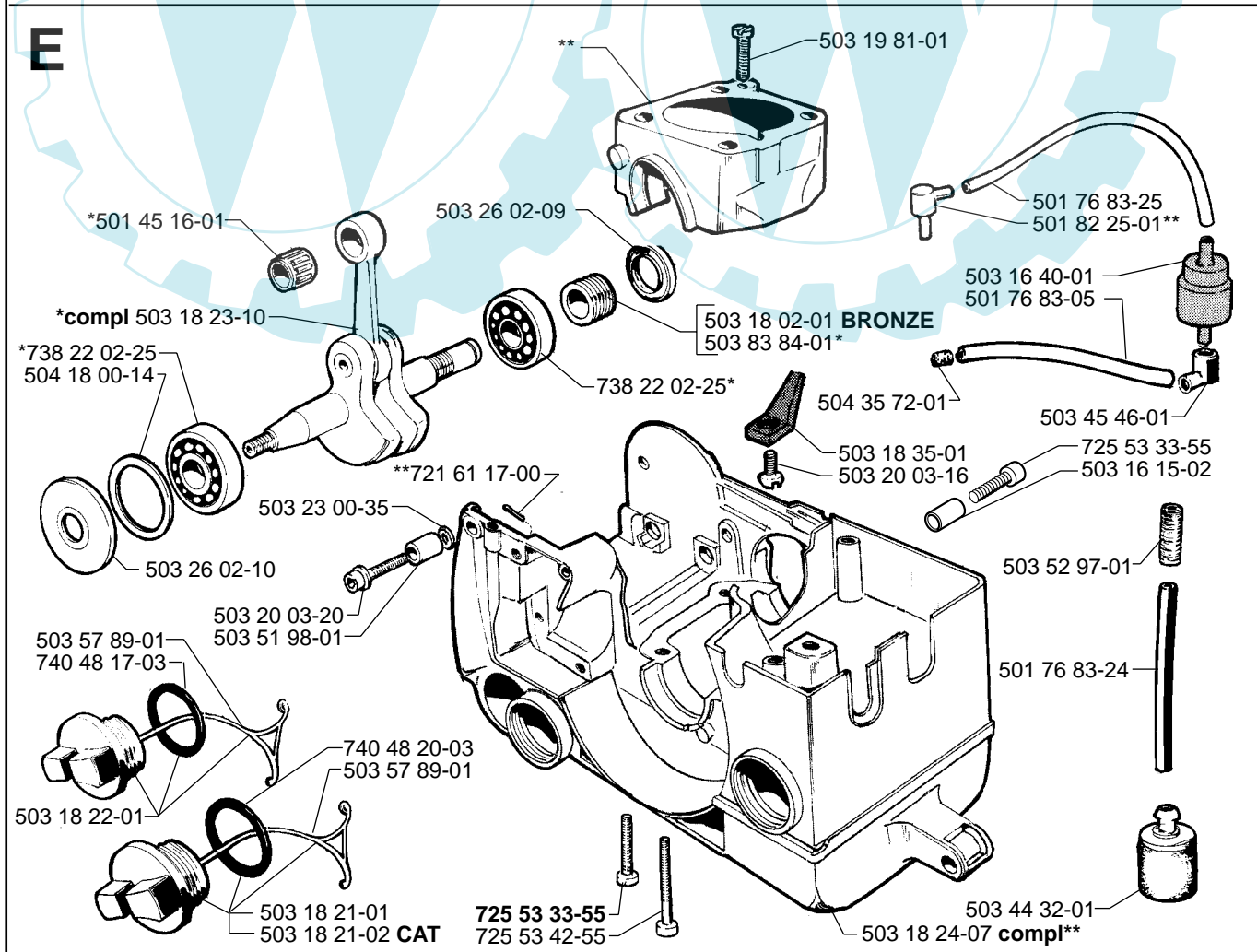
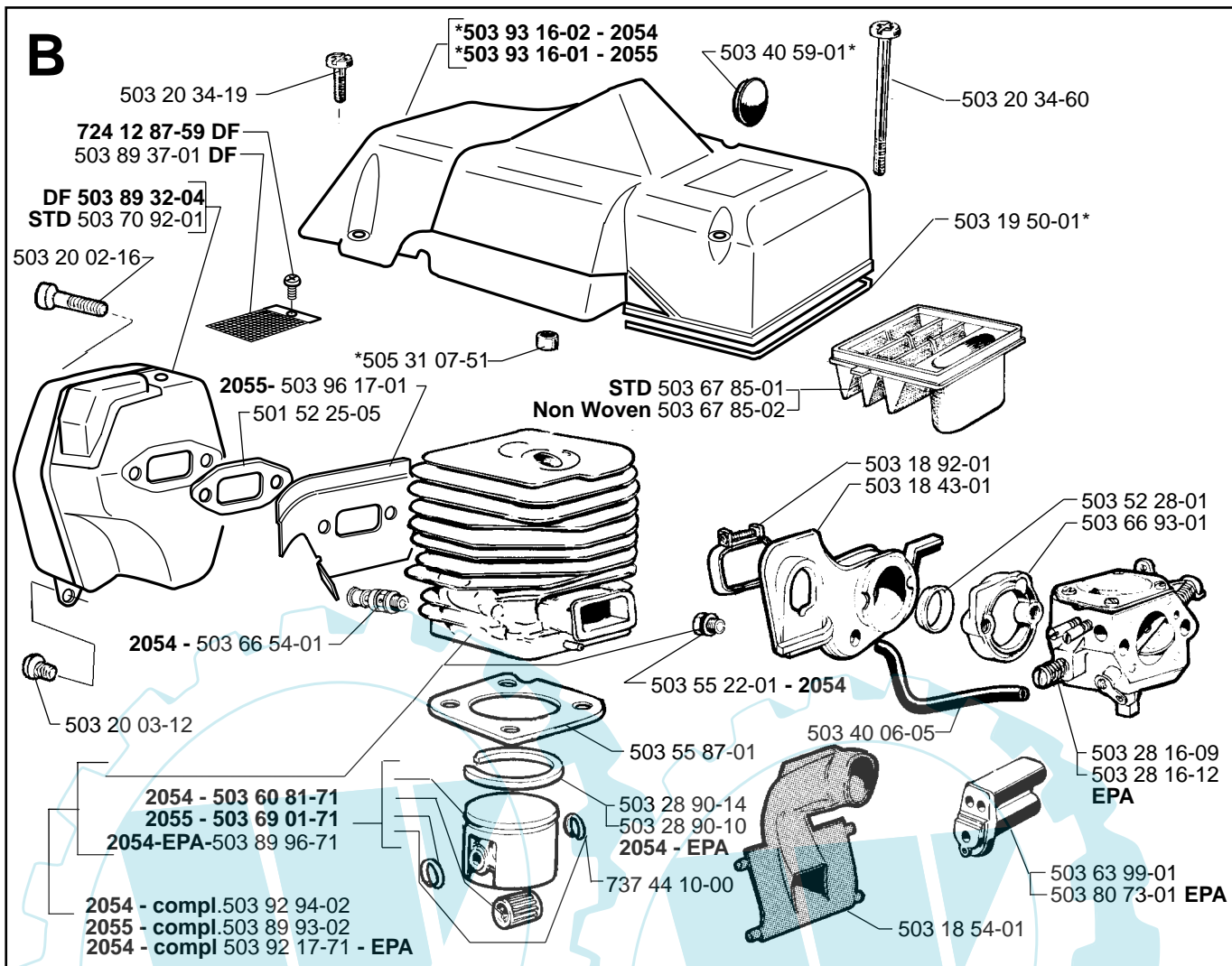
Vervangt

Reemplaza

Ersätter

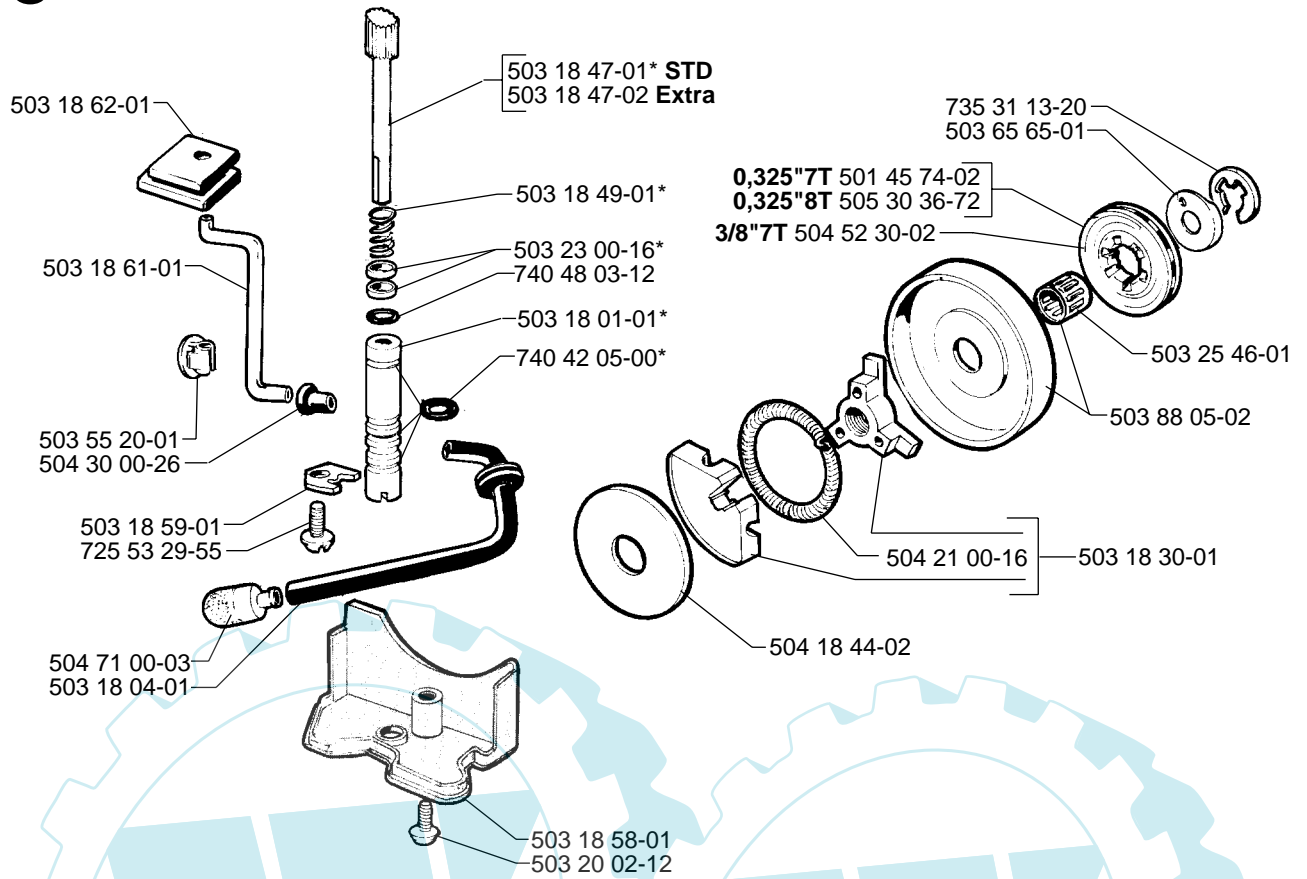
106 25 32-61



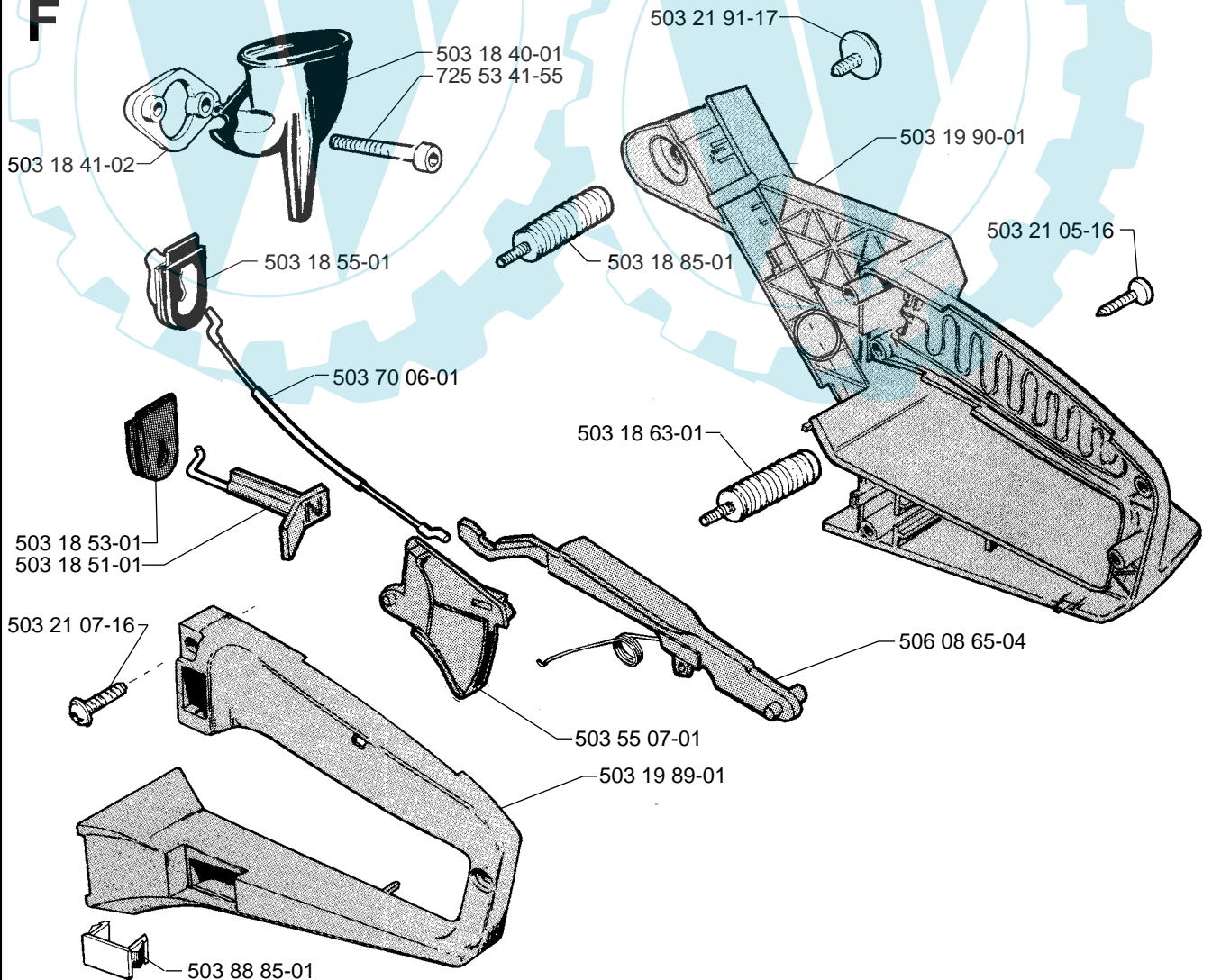


C

*compl 503 19 05-01



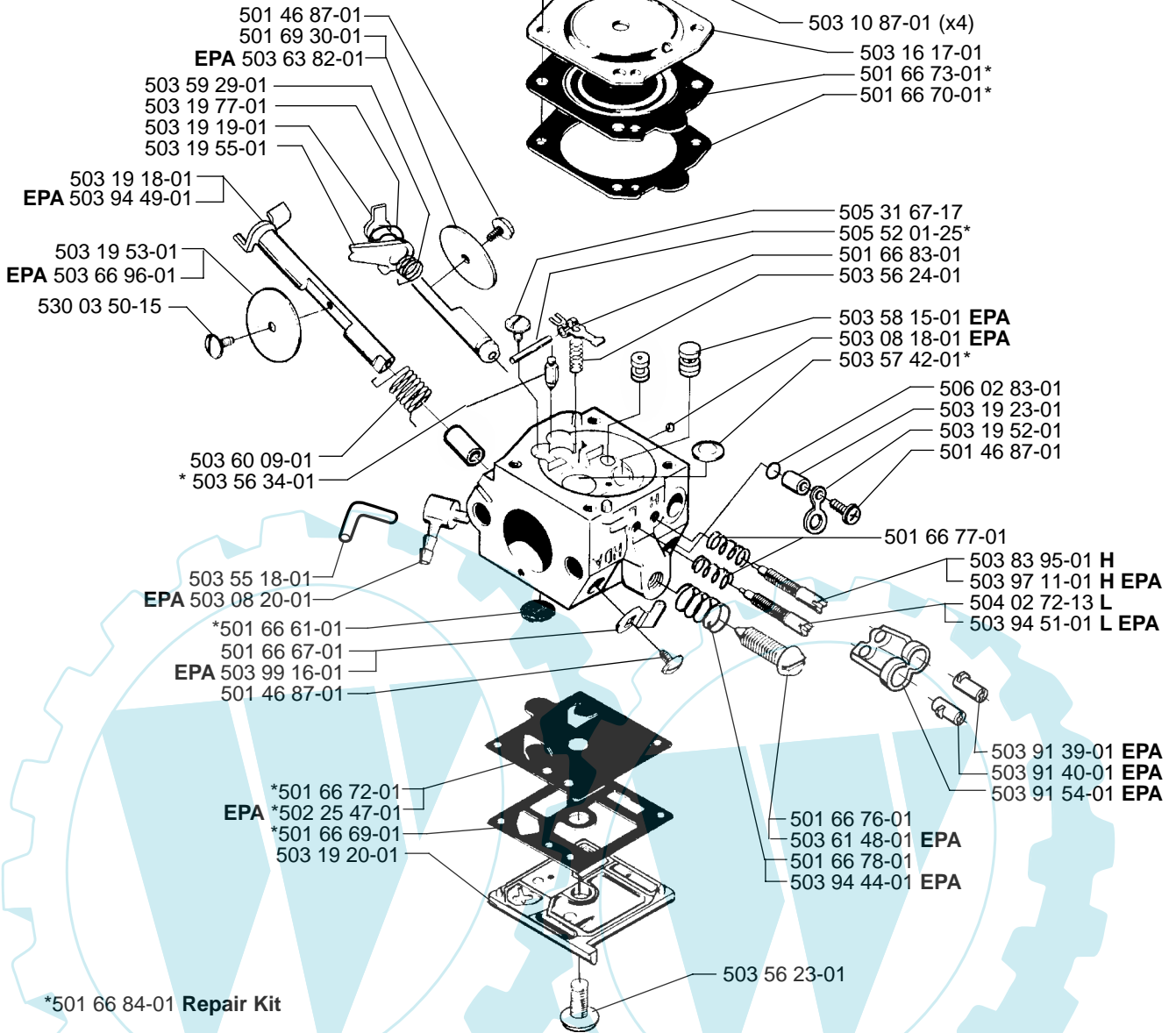
F



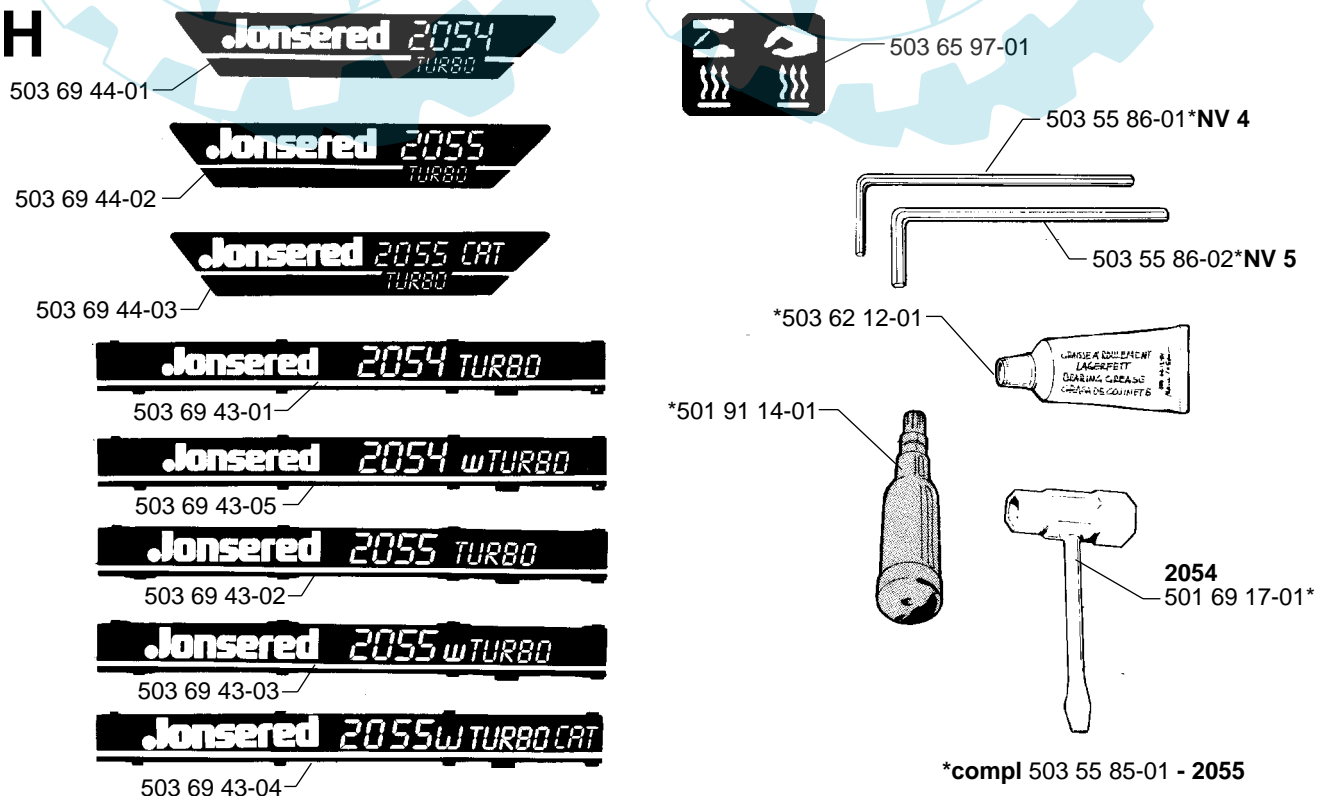
G

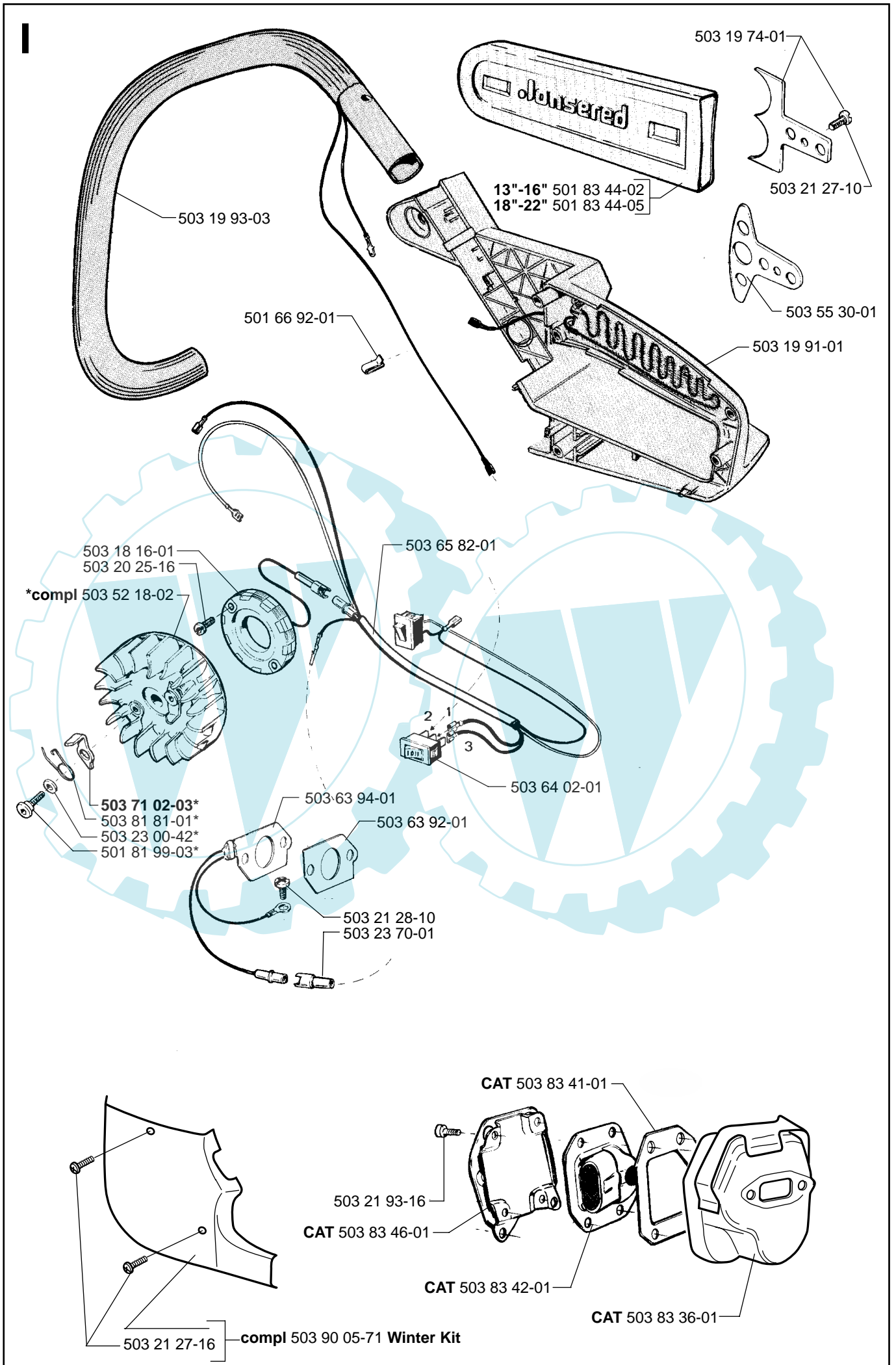
compl 503 28 16-09
compl 503 28 16-12 EPA

**Walbro HDA 119 A
Walbro HDA 143 A**



H



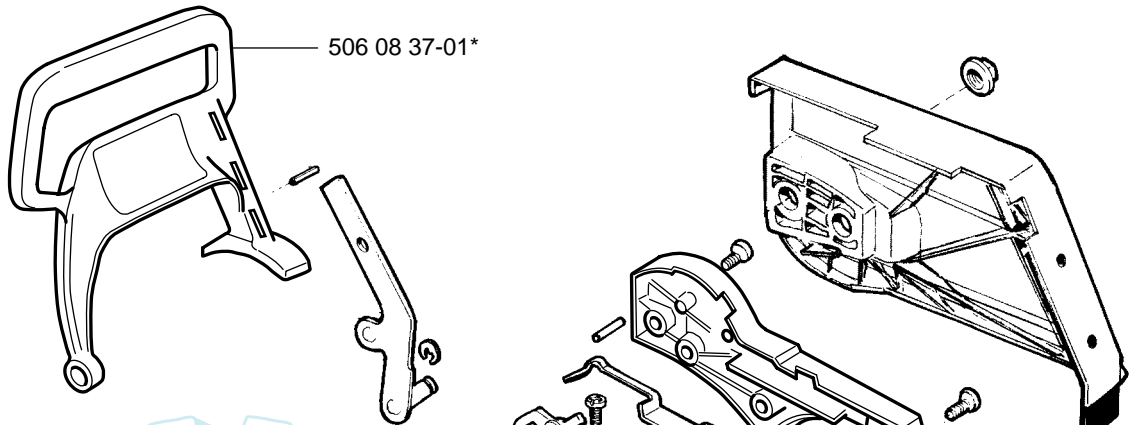


J



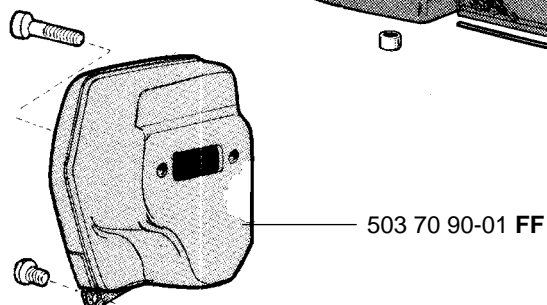
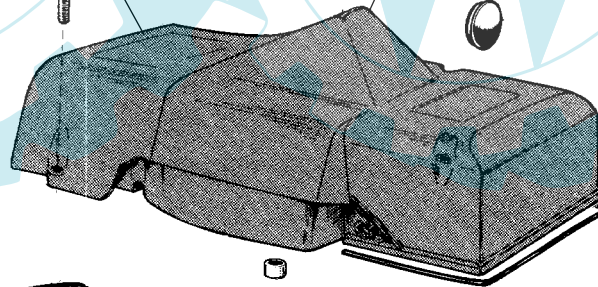
Up to (1998) 2054- 8190001
Up to (1998) 2055- 8210001 EUR
Up to (1999) 2055- 9200001

*compl 503 18 36-01



503 67 84-02 -2054
503 67 84-01 -2055

503 69 31-02 -2054 USA
503 69 31-01 -2055 USA



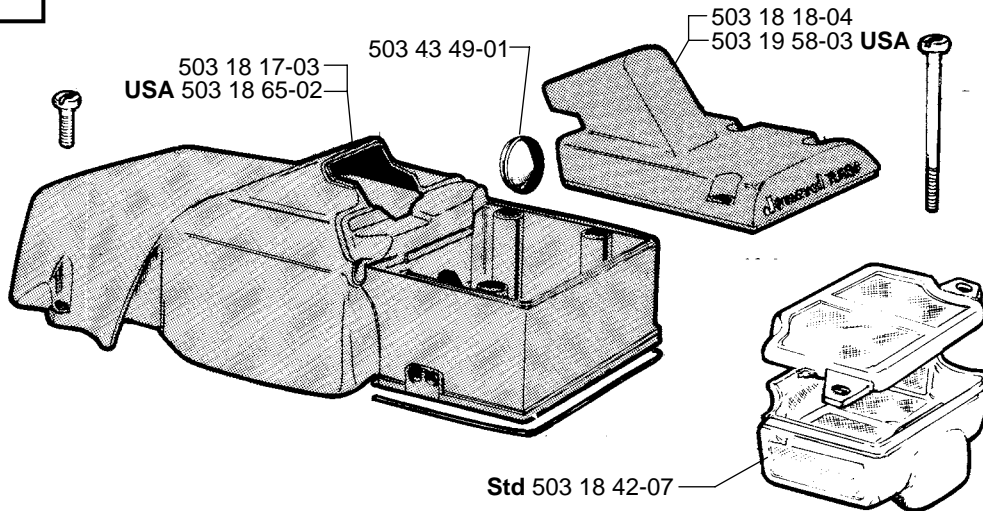
503 70 91-01 FF

503 18 70-01

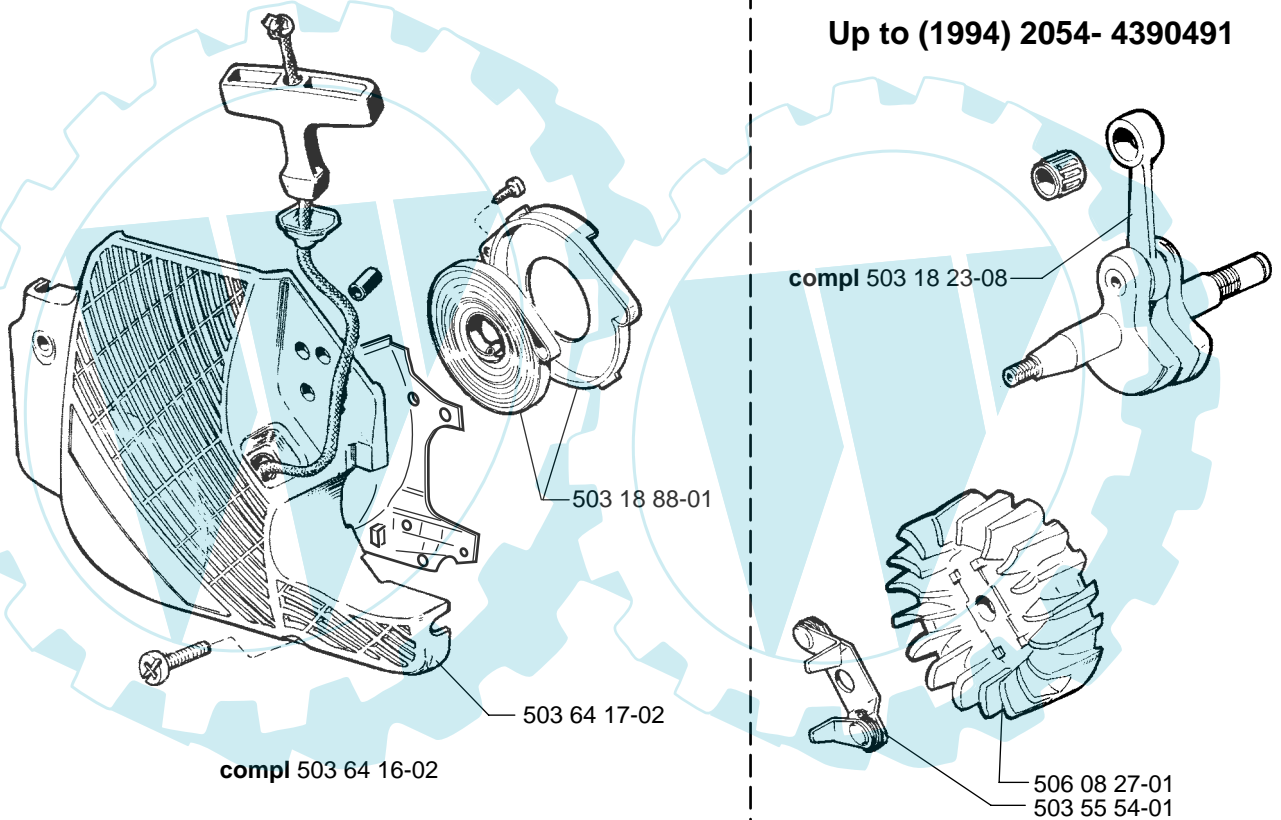
K



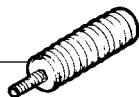
Up to (1993) 2054- 3360151



Up to (1994) 2054- 4390491

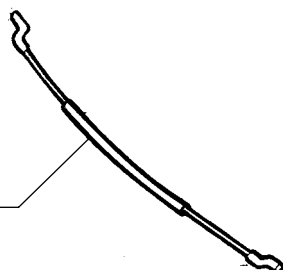


503 18 85-03



From (1992) 2054- 2470059 - 8110051
Up to (1998) 2055- 8110001

506 08 84-02



Up to (1992) 2054- 2510406

PART NUMBER	SQUARE NOTE	PART NUMBER	SQUARE NOTE	PART NUMBER	SQUARE NOTE	PART NUMBER	SQUARE NOTE
501 45 16-01	E	503 18 65-02	K	503 52 18-05	D	503 88 85-01	F
501 45 74-02	C	503 18 70-01	J	503 52 28-01	B	503 89 32-04	B N
501 46 87-01	G	503 18 85-01	F	503 52 97-01	E	503 89 37-01	B
501 48 54-02	D	503 18 85-03	K	503 55 07-01	F	503 89 93-02	B
501 52 25-05	B	503 18 87-01	A	503 55 18-01	G	503 89 96-71	B EPA
501 62 43-02	D	503 18 88-01	K	503 55 20-01	C	503 90 05-71	I
501 63 06-01	D	503 18 88-02	D	503 55 22-01	B	503 90 14-01	D N
501 66 61-01	G	503 18 92-01	B	503 55 30-01	I	503 91 39-01	G EPA
501 66 67-01	G	503 18 96-01	A	503 55 54-01	K	503 91 40-01	G EPA
501 66 69-01	G	503 19 05-01	C	503 55 85-01	H	503 91 54-01	G EPA
501 66 70-01	G	503 19 18-01	G	503 55 86-01	H	503 92 17-71	B EPA
501 66 72-01	G	503 19 19-01	G	503 55 86-02	H	503 92 94-02	B
501 66 73-01	G	503 19 20-01	G	503 55 87-01	B	503 93 16-01	B N
501 66 76-01	G	503 19 23-01	G	503 56 23-01	G	503 93 16-02	B N
501 66 77-01	G	503 19 50-01	B	503 56 24-01	G	503 93 17-01	A N
501 66 78-01	G	503 19 52-01	G	503 56 34-01	G	503 94 44-01	G EPA
501 66 83-01	G	503 19 53-01	G	503 57 42-01	G	503 94 49-01	G EPA
501 66 84-01	G	503 19 55-01	G	503 57 89-01	E	503 94 51-01	G EPA
501 66 92-01	I	503 19 58-03	K	503 58 15-01	G EPA	503 96 17-01	B
501 69 17-01	H	503 19 74-01	I	503 59 29-01	G	503 97 11-01	G EPA
501 69 30-01	G	503 19 77-01	G	503 60 09-01	G	503 98 74-01	A N
501 76 83-05	E	503 19 81-01	E	503 60 81-71	B N	503 99 16-01	G EPA
501 76 83-24	E	503 19 87-01	D	503 61 48-01	G EPA	504 02 00-37	A
501 76 83-25	E	503 19 89-01	F	503 62 12-01	H	504 02 72-13	G
501 81 99-03	DI	503 19 90-01	F	503 63 82-01	G EPA	504 18 00-14	E
501 82 25-01	E	503 19 91-01	I	503 63 92-01	I	504 18 44-02	C
501 83 44-02	I	503 19 93-01	A	503 63 94-01	I	504 21 00-16	C
501 83 44-05	I	503 19 93-03	I	503 63 99-01	B	504 30 00-26	C
501 87 53-01	A	503 20 02-12	C	503 64 02-01	I	504 35 72-01	E
501 91 14-01	H	503 20 02-16	AB	503 64 16-02	K	504 52 30-02	C
502 25 47-01	G	503 20 02-35	A	503 64 17-02	K	504 59 05-03	A
503 08 18-01	G EPA	503 20 03-12	B	503 64 18-01	D	504 65 42-03	D
503 08 20-01	G EPA	503 20 03-16	E	503 65 65-01	C	504 71 00-03	C
503 10 87-01	G	503 20 03-20	E	503 65 82-01	I	505 27 75-16	D
503 16 15-02	E	503 20 25-16	I	503 65 97-01	H	505 30 36-72	C
503 16 17-01	G	503 20 25-20	D	503 66 54-01	B	505 30 51-25	D
503 16 40-01	E	503 20 34-19	B	503 66 93-01	B	505 31 07-51	B
503 18 01-01	C	503 20 34-19	D	503 66 96-01	G EPA	505 31 67-17	G
503 18 02-01	E	503 20 34-60	B	503 67 82-01	D	505 52 01-25	G
503 18 04-01	C	503 21 05-16	DF	503 67 83-01	D	506 01 31-01	A
503 18 16-01	I	503 21 07-16	F	503 67 84-01	J	506 02 83-01	G
503 18 17-03	K	503 21 27-10	I	503 67 84-02	J	506 08 27-01	K
503 18 18-04	K	503 21 27-16	I	503 67 85-01	B	506 08 30-02	A
503 18 21-01	E	503 21 28-10	ADI	503 67 85-02	B	506 08 31-01	A
503 18 21-02	E	503 21 91-17	F	503 69 01-71	B N	506 08 32-01	A
503 18 22-01	E	503 21 93-16	I	503 69 31-01	J	506 08 33-01	A
503 18 23-08	K	503 22 00-01	A	503 69 31-02	J	506 08 34-01	A
503 18 23-10	E	503 22 10-11	D	503 69 43-01	H	506 08 37-01	J
503 18 24-07	E	503 22 65-04	A	503 69 43-02	H	506 08 59-02	A
503 18 30-01	C	503 23 00-16	C	503 69 43-03	H	506 08 65-04	F
503 18 35-01	E	503 23 00-35	AE	503 69 43-04	H	506 08 67-01	A
503 18 36-01	J	503 23 00-42	DI	503 69 43-05	H	506 08 84-02	K
503 18 36-03	A N	503 23 01-01	D	503 69 44-01	H	530 03 50-15	G
503 18 39-03	D	503 23 51-08	D	503 69 44-02	H	720 12 36-50	A
503 18 40-01	F	503 23 70-01	I	503 69 44-03	H	721 43 03-50	A
503 18 41-02	F	503 23 88-01	D	503 70 06-01	F	721 61 17-00	E
503 18 42-07	K	503 25 46-01	C	503 70 90-01	J	724 12 87-59	B N
503 18 43-01	B	503 26 02-09	E	503 70 91-01	J	725 53 29-55	C
503 18 47-01	C	503 26 02-10	E	503 70 92-01	B	725 53 33-55	E
503 18 47-02	C	503 28 16-09	BG	503 71 02-03	DI N	725 53 41-55	F
503 18 49-01	C	503 28 16-12	BG EPA	503 80 73-01	B	725 53 42-55	E
503 18 51-01	F	503 28 90-10	B EPA	503 81 81-01	DI	728 74 45-05	A
503 18 53-01	F	503 28 90-14	B	503 83 36-01	I	732 21 14-01	A
503 18 54-01	B	503 40 06-05	B	503 83 41-01	I	734 18 12-51	D
503 18 55-01	F	503 40 59-01	B	503 83 42-01	I	735 31 08-20	A
503 18 58-01	C	503 43 49-01	K	503 83 46-01	I	735 31 13-20	C
503 18 59-01	C	503 44 32-01	E	503 83 84-01	E	737 44 10-00	B
503 18 61-01	C	503 45 46-01	E	503 83 95-01	G	738 22 02-25	E
503 18 62-01	C	503 51 98-01	E	503 84 50-01	D	740 42 05-00	C
503 18 63-01	F	503 52 18-02	I	503 88 05-02	C	740 48 03-12	C

Set of gaskets
Dichtungssatz
Jeu de joints
Juego de juntas
Packningssats

N = New part
Neues teil
Nouvelle piece
Nueva pieza
Ny detalj

EPA= Environmental Protection Agency

PART NUMBER	SQUARE NOTE	PART NUMBER	SQUARE NOTE	PART NUMBER	SQUARE NOTE	PART NUMBER	SQUARE NOTE
740 48 17-03	E						
740 48 20-03	E						

